



Screwdriving Technology

Automation

Air Motors

Air Tools



**DEPRAG**  
machines unlimited

## Air Grinders with Collets

**Inline Design - Power Output: 150 W / 270 W (.20 / .36 HP)**

- High power output at a low weight
- Ergonomic
- Highly durable

Small grinders with collets are especially well suited for the precision grinding with grinding tips and for fabricating using carbine cutters.

Ergonomic, low-weight and suitable for numerous application cases - in the tool-, die-, and mold making or in small industrial areas.

These grinders efficiently allow the fabrication of plastics, metals and casting - even when using these tools in 24/7 operations.

GDS 015-470SX



GDS 027-320SY



GDS 027-320BX



GDS 027-320BYF



## The best tools for efficient material removal

### High power output at a low weight

All DEPRAG Industrial grinders excel through their compact design while simultaneously achieving a high power output. Especially when used with carbide cutters, these tools offer a powerful solution.

### Ergonomic

The ergonomic design of the handle and the surface treatment of the grip allows a continued and low-fatigue operation.

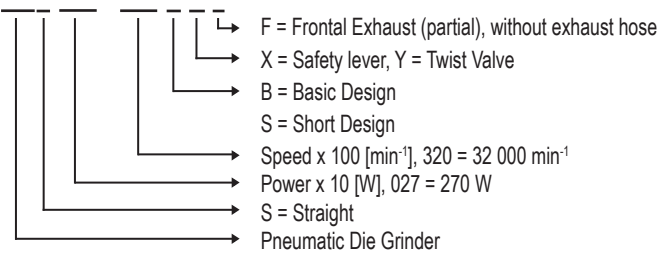
### Highly durable

The robust construction assures a high longevity of your tool - even when used in continued- and mass-fabrications.



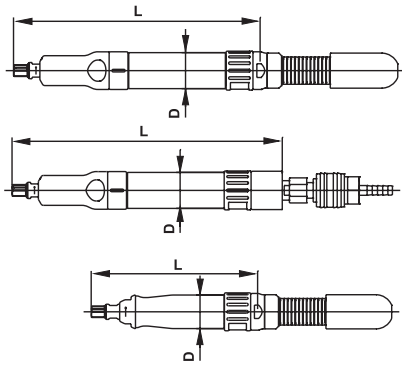
## TYPE KEY

### GDS 027 - 320 B X F

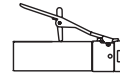


# SPECIFICATIONS - GRINDERS WITH COLLETS - INLINE DESIGN

## Design



Basic Design B,  
Twist Valve



Any model can be supplied with a lever-start instead of a twist-start.

Basic Design with  
Frontal Exhaust B.F.,  
Twist Valve

Short Design S,  
Twist Valve

Twist Valve, Short Design	Model	GDS 015-470SY	GDS 027-320SY	-	-
Air-exhaust located on the rear	Part No.	3147401D	3148457A	-	-
Safety Lever, Short Design	Model	GDS 015-470SX	GDS 027-320SX	-	-
Air-exhaust located on the rear	Part No.	3147401E	3148457B	-	-
Twist Valve, Basic Design	Model	-	-	GDS 027-320BY <sup>(*)</sup>	GDS 027-320BYF <sup>(*)</sup>
Air exhaust located on the rear (B.)	Part No.	-	-	3148457C	3148457F
Frontal exhaust - partial (B.F)					
Safety Lever, Basic Design	Model	-	-	GDS 027-320BX <sup>(*)</sup>	GDS 027-320BXF <sup>(*)</sup>
Air exhaust located on the rear (B.)	Part No.	-	-	3148457D	3148457G
Frontal exhaust - partial (B.F)					
Speed (no load)	min <sup>-1</sup> (rpm)	47 000	32 000	32 000	32 000
Max. power output	W (hp)	150 (.20)	270 (.36)	270 (.36)	270 (.36)
Air consumption (load)	m <sup>3</sup> /min (cfm)	0,23 (8.12)	0,3 (10.6)	0,3 (10.6)	0,3 (10.6)
I.D. of air inlet hose	mm (in)	6 (.24)	6 (.24)	6 (.24)	6 (.24)
Max. Ø of grinding tip	mm (in)	16 (.63)	25 (.98)	25 (.98)	25 (.98)
Max. Ø of grinding insert	mm (in)	6 (.24)	10 (.39)	10 (.39)	10 (.39)
Weight (without hoses)	kg (lbs)	0,26 (.57)	0,34 (.79)	0,42 (.93)	0,54 (1.19) 0,61 (1.34)
Length of supply / exhaust hose	m	2 / 0,75	2 / 0,75	2 / 0,75	-
Dimensions Ø DxL	mm (in)	30x148 (1.18x5.83)	30x159 (1.18x6.23)	30x20 (1.18x8.11)	30x209 (1.18x8.23)
Air connection		Hose nozzle (Part No. 6015339)	Hose nozzle (Part No. 6015339)	Hose nozzle (Part No. 6015339)	Hose nozzle (Part No. 323214)

Specifications at 90 psi (6,3 bar)

<sup>(\*)</sup> without exhaust hose  
<sup>(\*\*)</sup> with exhaust hose

Standard Equipment:	Part Number
Collet Ø 6 mm	312688
Spanner 9 mm	800401
Spanner 10 mm	800402

Optional Accessories:	Part Number
Collet Ø 3 mm	312681
Collet Ø 4 mm	312684
Collet Ø 5 mm	312686
Collet Ø 6 mm	312688
Collet Ø 1/8" (3,175 mm)	312682
Collet Ø 1/4" (6,35 mm)	312689

**DEPRAG**  
machines unlimited



DEPRAG CZ a.s., T. G. Masaryka 113, 507 81 Lázně Bělohrad - Czech Republic  
Tel.: +420-493 771 511, Fax: +420-493 771 623, E-mail: [sales@deprag.cz](mailto:sales@deprag.cz), Internet: [www.deprag.cz](http://www.deprag.cz)

Specifications subject to change without prior notice